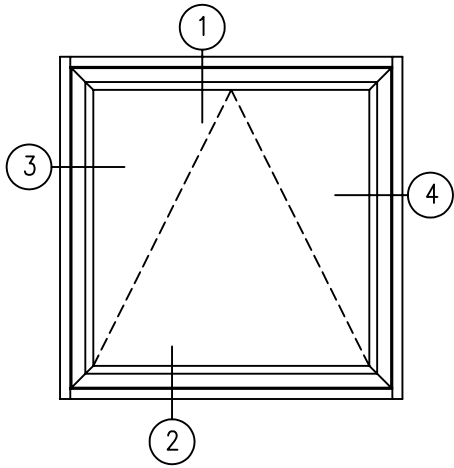
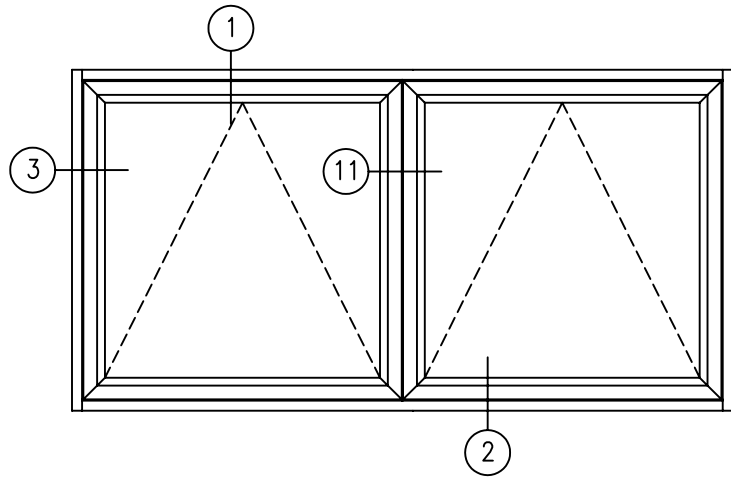


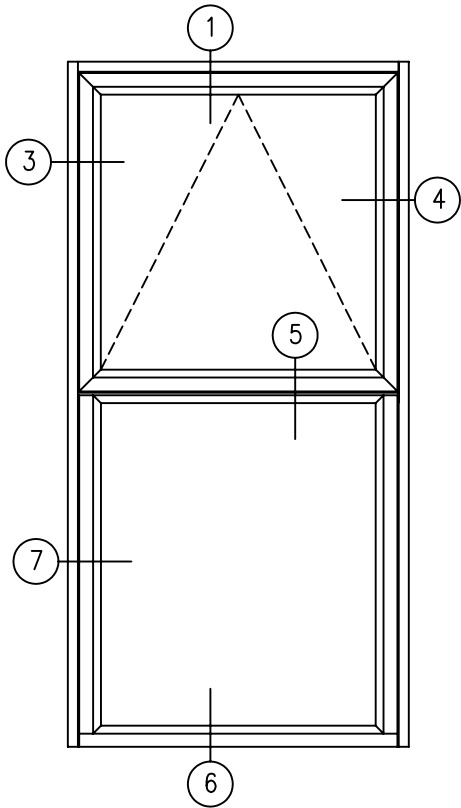
SCALE: NONE



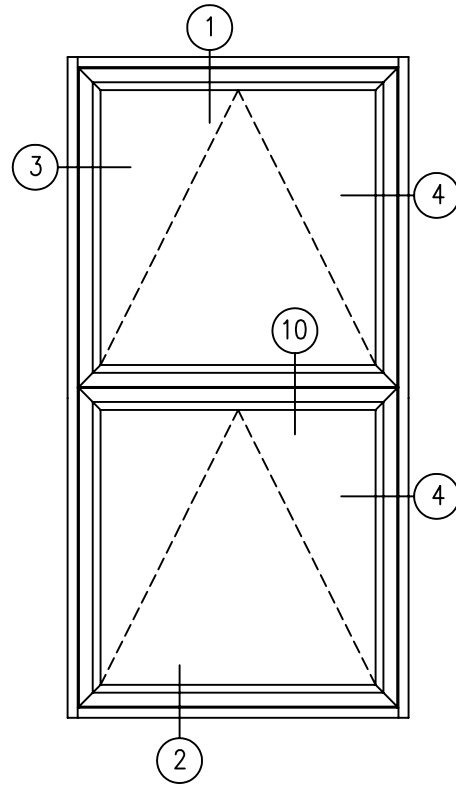
Projected Out



Projected Out/Projected Out
Continuous Frame



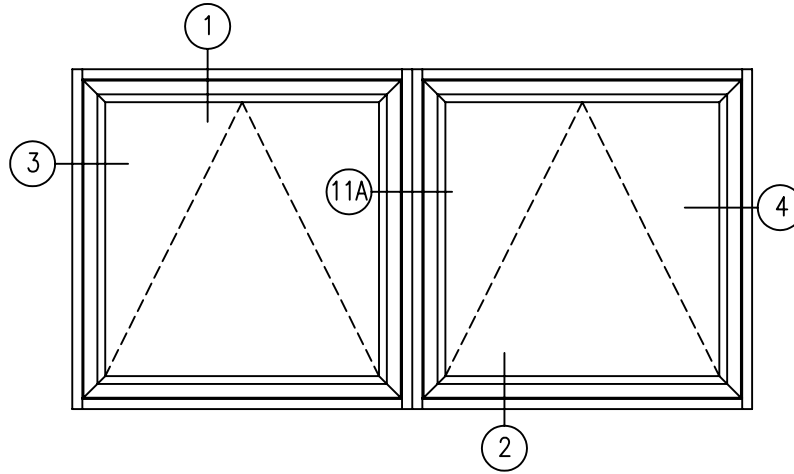
Projected Out/Fixed
Continuous Frame



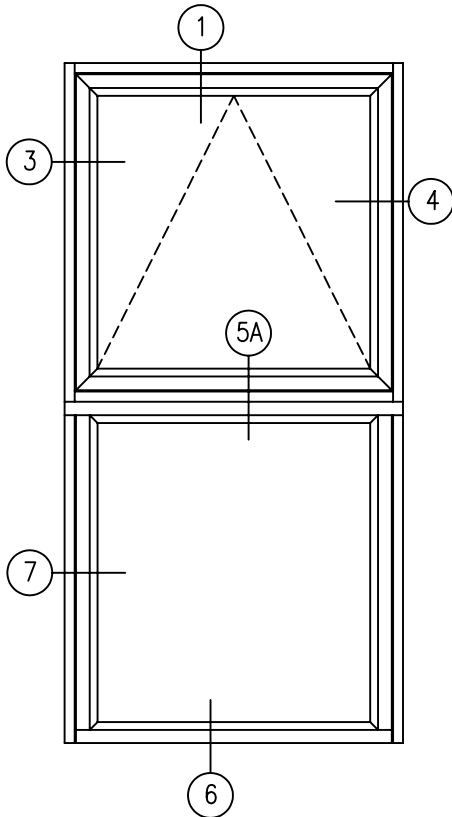
Projected Out/Projected Out
Continuous Frame

All Elevations are viewed outside looking IN.

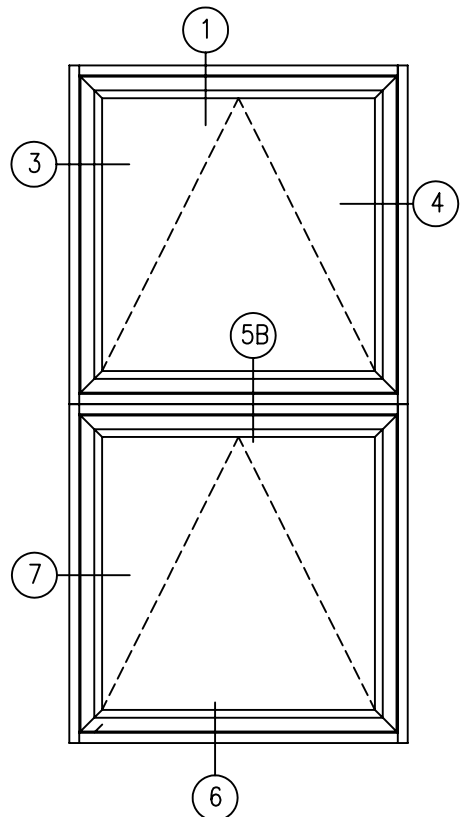
SCALE: HALF



Projected Out/Projected Out
with Male-Female Mullion

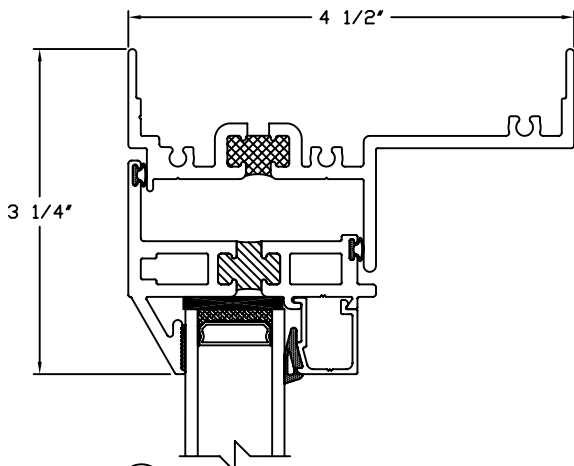


Projected Out/Fixed
with Male-Female Mullion

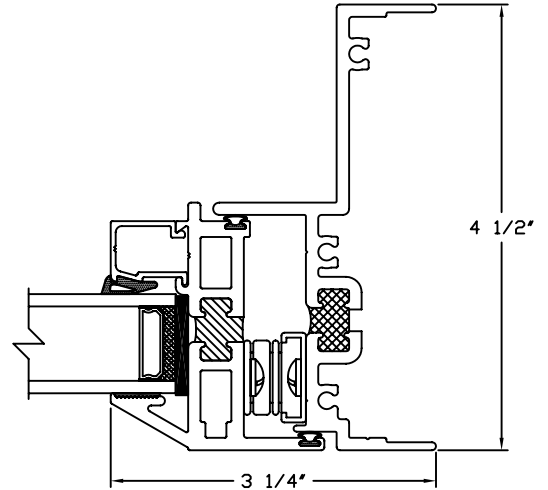


Projected Out/Project Out
with Male-Female Mullion

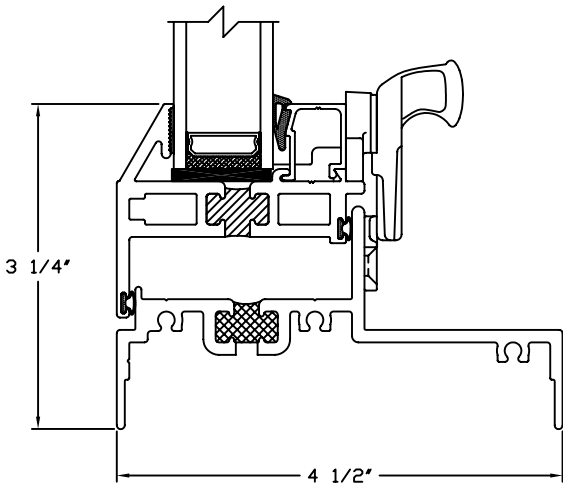
SCALE: HALF



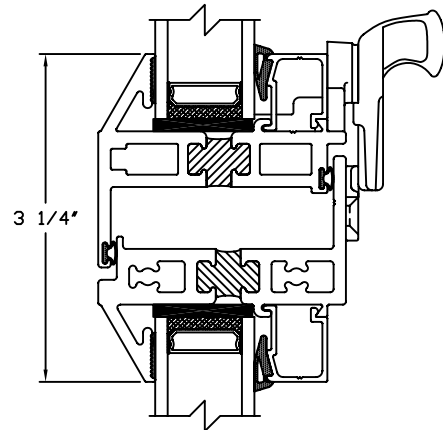
① Head Detail



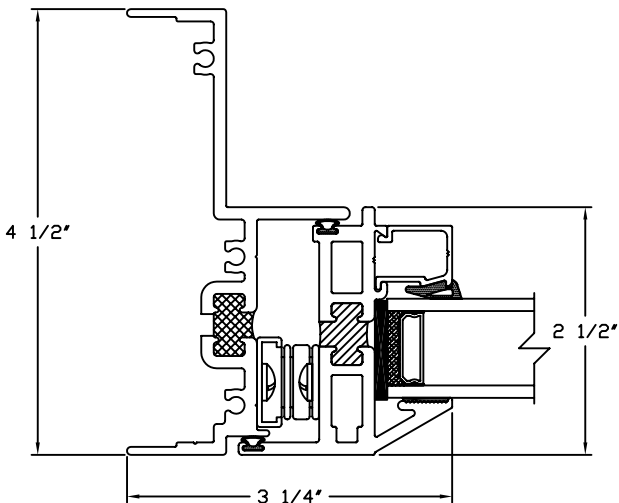
④ Jamb Detail



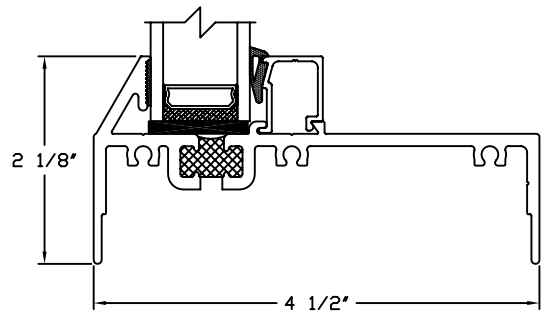
② Sill Detail



⑤ Project Out/Fixed Mullion Detail

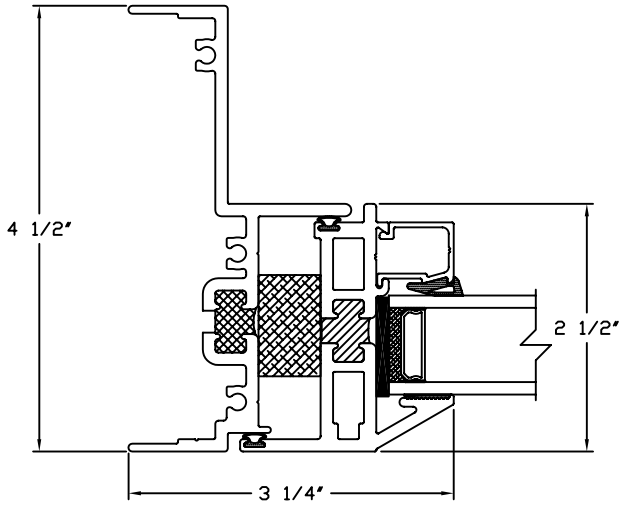


③ Jamb Detail

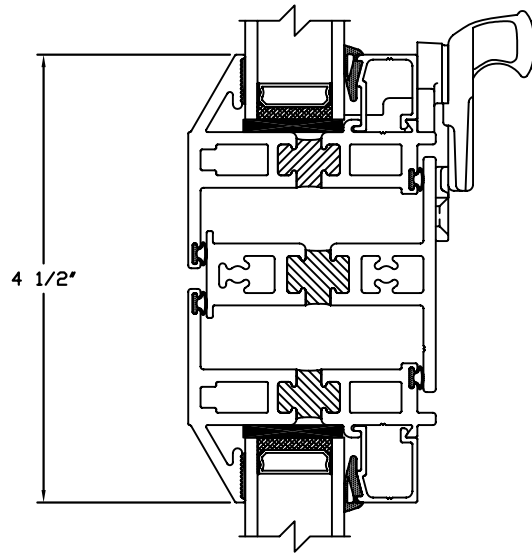


⑥ Fixed Sill Detail

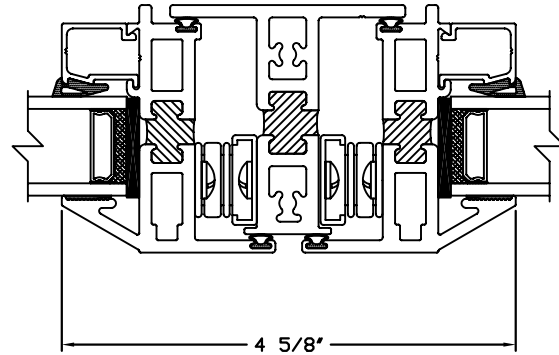
SCALE: HALF



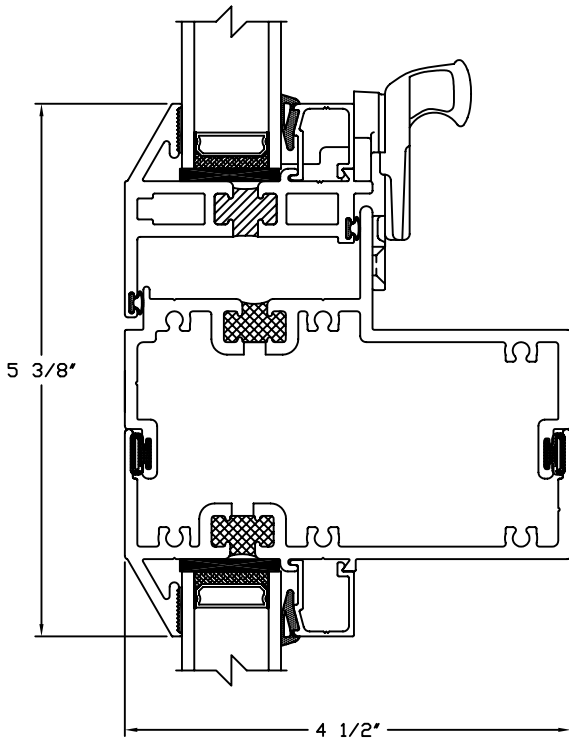
7 Fixed Jamb Detail



10 Projected Out/Projected Out Mullion Detail

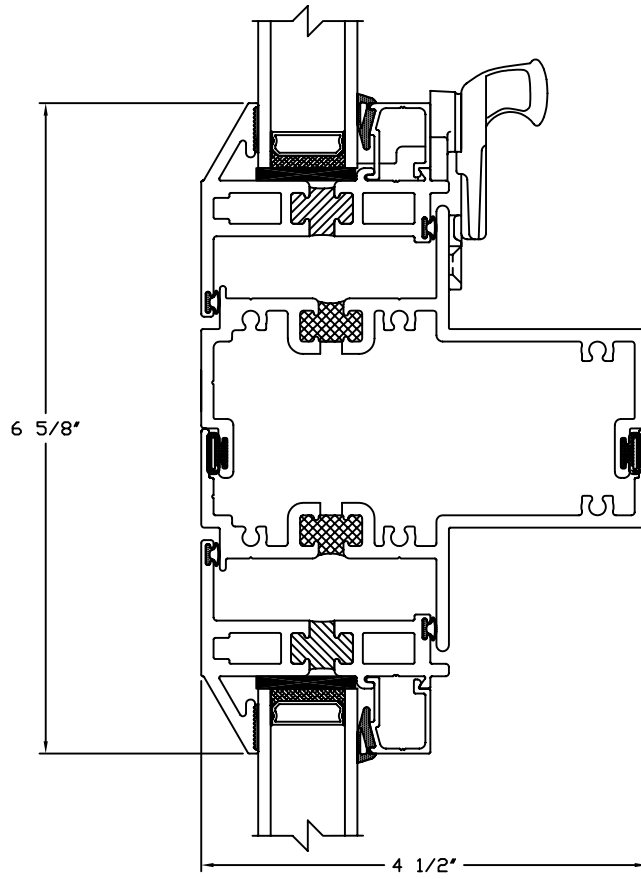


11 Projected Out/Projected Out Mullion Detail

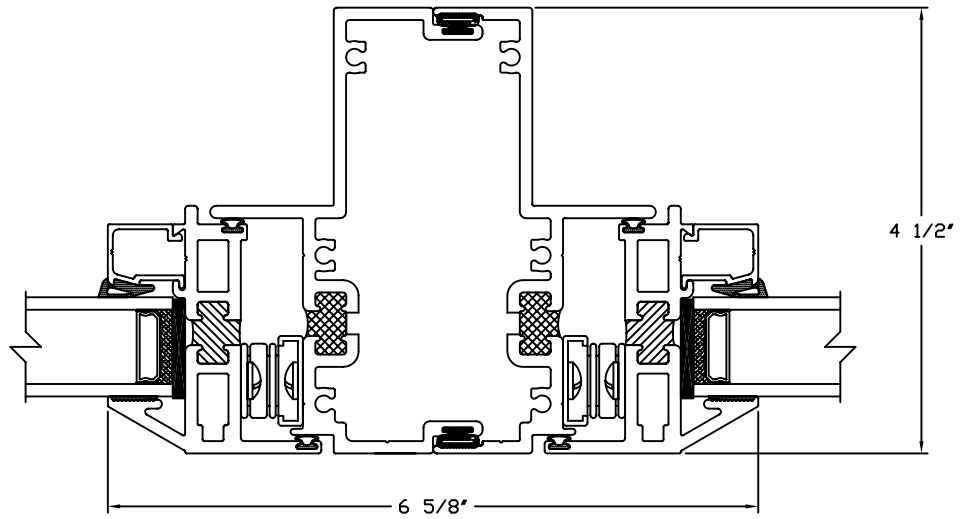


5A Projected Out/Fixed with Male-Female Mullion

SCALE: HALF



5B Projected Out/Projected Out with Male-Female Mullion



11A Projected Out/Projected Out with Male-Female Mullion